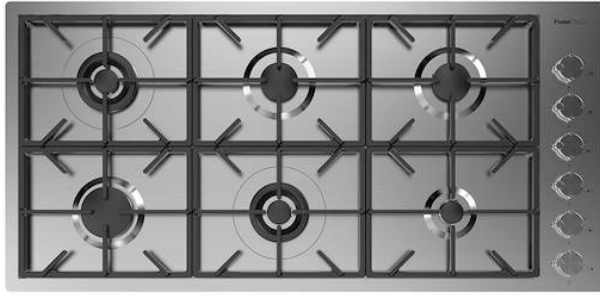


Cooker hob Foster Milano



Gas hobs

Code: 7639 000



DETAILS

Type	Gas Hob
Material	AISI 304 stainless steel
Texture	Brushed in line
Finish	Foster brushed
Edge/Installation Type	Flush-mount Top-mount
Base size	120 cm
Dimensions	1154 x 560 mm
Width	115 cm
Cut out	Check technical data sheet

Heating element six burners

Supply 220 - 240 V; 50/60 Hz

Total power 15.900 W

Auxiliary 1.000 W

Semirapid 2 x 1.750 W

Rapid 3.000 W

Dual 2 x 4.200 W

Power settings 9 power settings per zone

Ignition Electric ignition under knob

Gas type Tested for installation with natural gas, LPG nozzle set included.

Safety Safety valve with quick-acting thermocouple

Grids Cast iron grids and enamelled burner covers

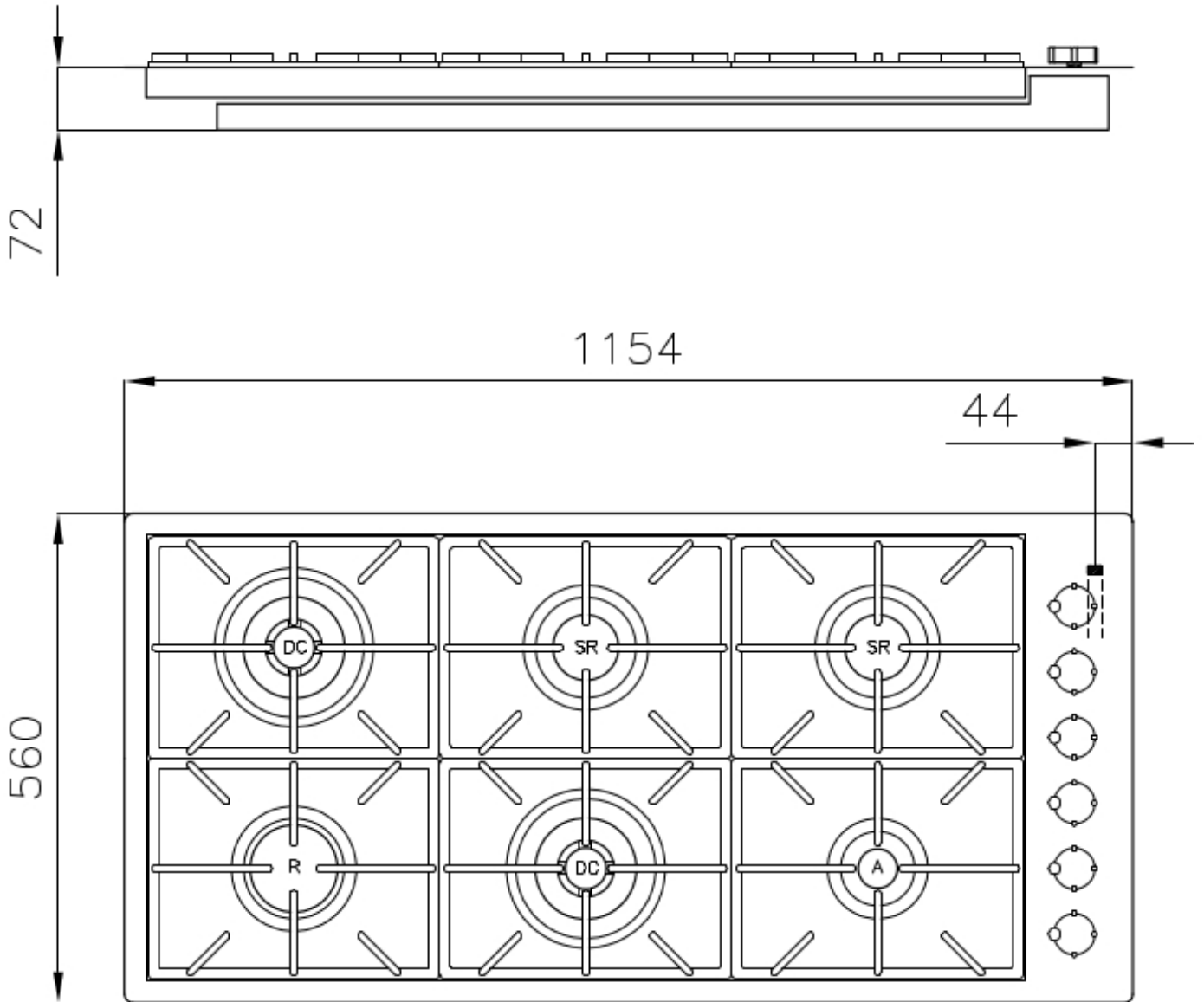
EQUIPMENT

2 x Cast iron Wok support 9601
727

FEATURES

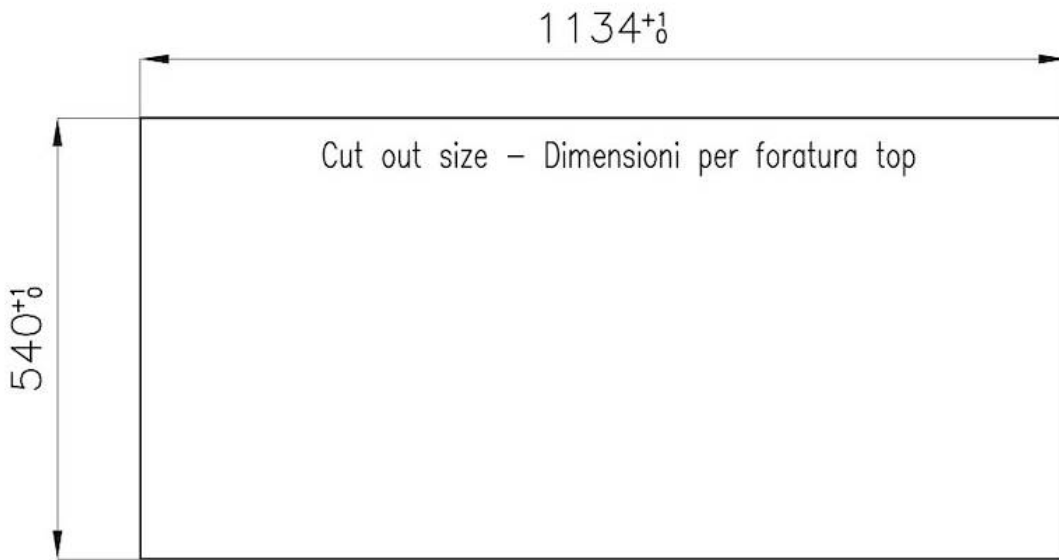
56 cm deep	56 cm deep. An increased dimension synonymous with great functionality, which distinguishes the Foster Milano series.
Aeo burners	The AEO burners guarantee up to 25% energy saving compared to standard burners. All models are designed with The Dual burner with 2 independent crowns, controlled by a single knob, delivers from 1 to 5KW, a power that can only be found in professional models.
Safe cooking	All Foster cooker hobs are equipped with safety valves. They shut off the gas supply very quickly if the flame accidentally goes out.
Special burners	Many Foster hobs are equipped with special burners, with two or three rings of fire that greatly increase the power delivered and the heated surface. In the DUAL models the two fire crowns also have independent ignition, making these burners perfect for both intensive and delicate cooking.
Ultra-flat hob	Design meets functionality in the the ultra-flat models. Elegant grids that form a generously sized overall surface.
Under-knob ignition	The utmost freedom of movement with electronic under-knob ignition, a common feature of all models that allows a one-hand ignition of the burner.
XXL grids	The weighty enamelled cast iron grid has extraordinary dimensions, 33x25 cm, with a working surface up to 50% bigger compared to a standard cooker hob. Now you can use all the burners at the same time even with large cookware.

TECHNICAL DATA





FT



FTS

GALLERY



EQUIPMENT



Cast iron wok support
9601 727

RECOMMENDED PAIRINGS



Sink Foster Milano
1017 055